



Main Features

- Intel® Alder Lake-N processors, Intel 7 process
- Slim compact chassis and fanless design
- 1 x DDR4 SO-DIMM, up to 16GB
- Support 2 x HDMI 2.0 output 4K@30Hz
- TPM 2.0 onboard design for security
- Richful I/O connectivity: 2 x 2.5GbE LAN, 4 x USB 3.2 Gen2
- 1 x M.2 2242 Key M for supporting PCIe & SATA storage device
- 1 x Mini PCIe slot supports Wi-Fi and LTE module
- Support power input 12 VDC

Product Overview

Neu-X102 series are powered by Intel® processor N50, N97 featuring upgraded computing performance with low power-efficient and integrated a rich set of IOT features. It supports 2 x HDMI 2.0 display output, dual 2.5GbE LAN ports, 4x USB 3.2 Gen 2 port, 1x RS232/RS422/RS485 port and an M.2 2242 Key M storage slot that supports PCIe and SATA format. In addition, the mPCIe slot support LTE and Wi-Fi/6E module. With the LTE and Wi-Fi communication, provide the wide-area coverage and real-time transmission for gateway applications.

With its slim, compact-size, fanless design, and extended durability can furtherly cover a lot of usages like IOT gateway, self-service kiosks, endless aisles, QSRs, drive-thru kiosks, bus stops, digital transit information signs, intelligent Pole/lighting system, information display system, such as PIDS for smart city.

Specifications

CPU Support

- Intel® Alder Lake-N processor, N50 (up to 3.4 GHz, 6W)

Graphic & Display

- Intel® UHD graphics

Main Memory

- 1 x DDR4 260-pin SO-DIMM, up to 3200MHz with non-ECC, unbuffered memory up to 16GB

I/O Interface-Front

- 2 x 2.5GbE RJ45 LAN port with LEDs
- 2 x HDMI 2.0, up to 3840 x 2160@30Hz
- 4 x USB 3.2 Gen 2
- 1 x Power button with LED
- 1 x DC in Jack with lock

I/O Interface-Rear

- 2 x Antenna hole
- 1 x COM port (RS232/RS422/RS485)
- 1 x Storage active LED

Internal I/O

- 1 x COM port connector (RS232, RI/5V/12V)
- 1 x Line out audio connector
- 2 x 6-pin header for 3 x USB 2.0 ports
- 1 x 10-pin header for GPIO, 4 x GPI, 4 x GPO

Expansion

- 1 x Mini PCIe full-size connector with SIM slot (nano) onboard, supports Wi-Fi 6/6E & LTE module

Storage

- 1 x M.2 2242 Key M storage for supporting SATA & PCIe signal

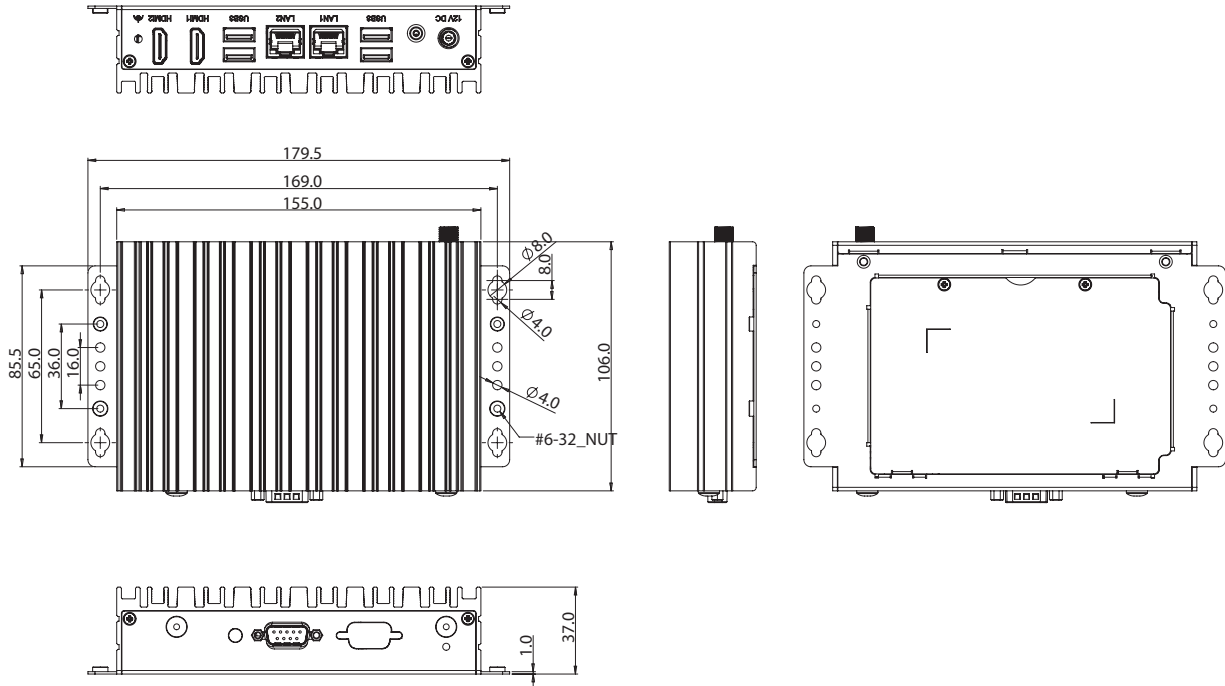
Power Supply

- Nominal Voltage: +12V DC
- +12V, 60W AC/DC power adapter in carton

Environment

- Operating temperature: -5°C to 50°C ambient with 0.7m/s air flow
- Humidity: 95% (non-condensing)
- Storage temperature: -20°C to 80°C
- Shock protection: 50G peak acceleration, 11 ms according to IEC60068-2-27

Dimension Drawing



- Vibration protection
 - Random: 2Grms @ 5~500 Hz, IEC60068-2-64
 - Sinusoidal: 2G @ 5~500 Hz, IEC60068-2-6

Mechanical & Dimension

- System Unit
 - Dimension: 179.5mm (W) x 106mm (D) x 37mm (H) (w/bracket)
 - Net weight: 0.85Kg /unit
- Package carton
 - Dimension: 288mm (W) x 242mm (D) x185mm (H)
 - Gross weight: 3.0kg (2 units/per carton)

Certification

- CE (EN55035 + EN55032)
- FCC Class B (EMI part 15B)
- LVD (EN62368-1)

Operating System

- Win 11 64-bit
- Win 10 64-bit
- Linux

Ordering Information

- **Neu-X102-N50 (P/N: 10W10X10200X0)**
Intel® Alder Lake-N processor, N50, 6W slim and fanless system